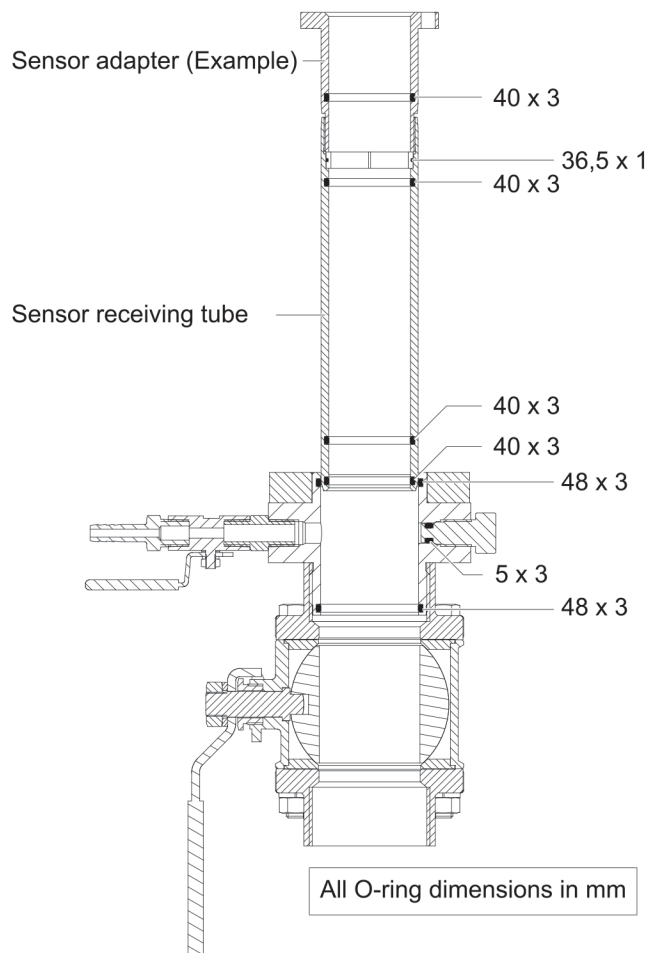


Positions of the O-rings



Changing the O-rings

NOTE

Please observe the following points exactly in order to avoid leakage of your retractable armature and damaging of your components.

Removing the O-rings

- If possible, remove the O-rings without using a tool.
- If necessary, make use of a blunt tool (e. g. screw driver). When doing so ensure that the O-ring groove is not scratched.

Checking the groove and sealing surfaces

The O-ring groove and the sealing surface opposite must not be contaminated or scratched. If necessary, clean the surfaces (detergent, see section MAINTENANCE of the retractable armature operating manual).

Mounting the O-rings

- Select a suitable O-ring according to the section diagram on page 1. If you are in any doubt, measure the O-ring exactly.
- If possible, mount the O-rings without using a tool.
- If necessary, use tweezers without sharp edges.
- After mounting the O-ring check its position. The O-ring must lie evenly in the groove and must not be twisted in itself. Otherwise, leakiness could occur or the O-ring could be damaged (cut off) when mounting the sensor.
- Before mounting the sensor, grease all O-rings with a thin layer of grease. This facilitates to insert one component into the other without the danger of damaging the O-rings. Spread the O-ring grease with a finger or a clean, lint-free cloth. Use a clean brush to grease O-rings that are difficult to access.